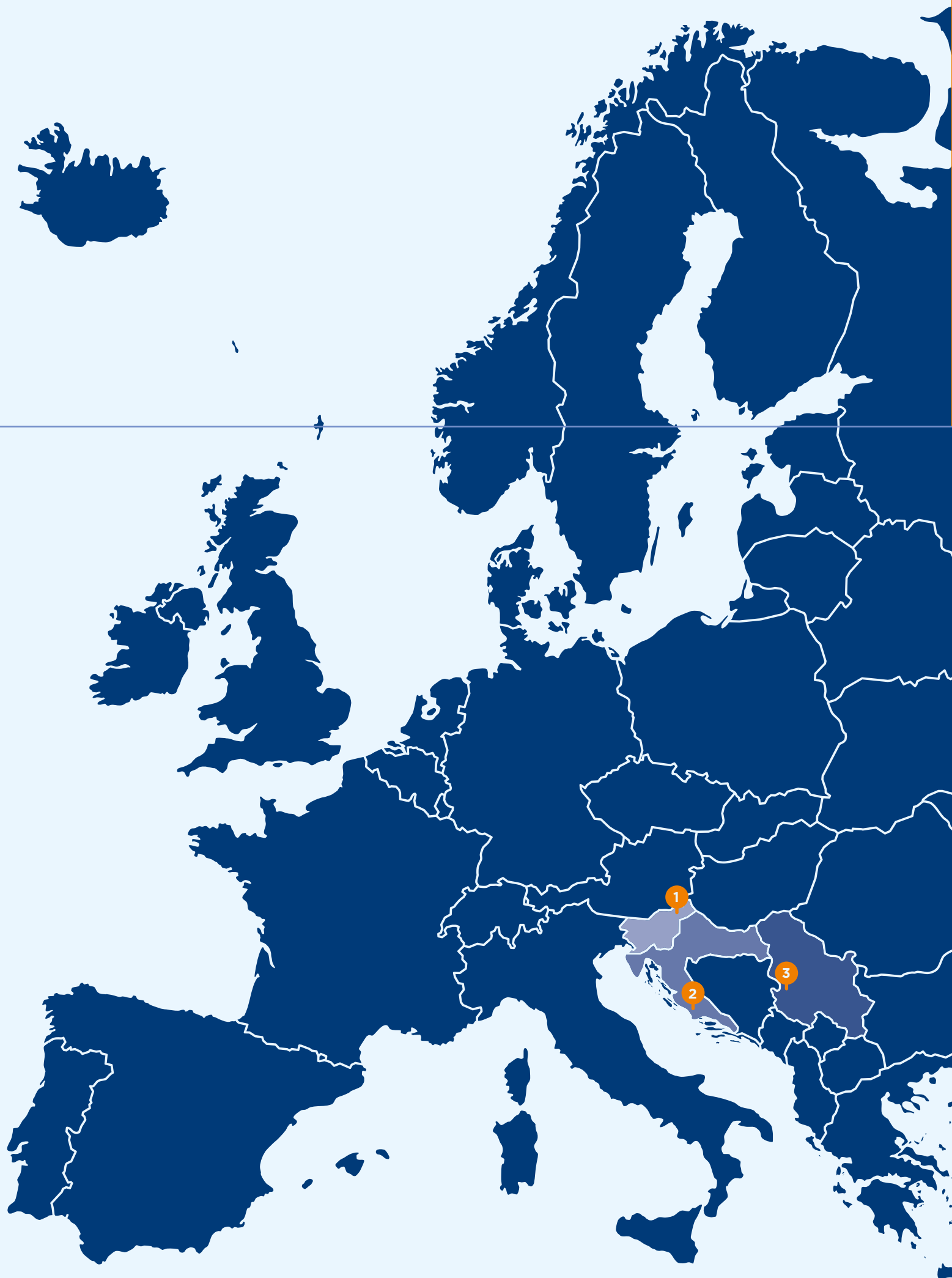


*Foils &
Thin Strips*



Our passion. Innovation.

The processing of aluminium into state-of-the-art semi-finished products is the core business and passion of the Impol Group. For almost two centuries we have been guided by innovation, development orientation, flexibility and universality. We create with and for our customers; we develop new alloys with them, advise them and search for new solutions for the optimisation of our processes and products. Our sustainable business growth, continuous modernisation and expansion of business capacities, wide range of products and alloys represent the guarantee that, with us, you will get a reliable business partner.

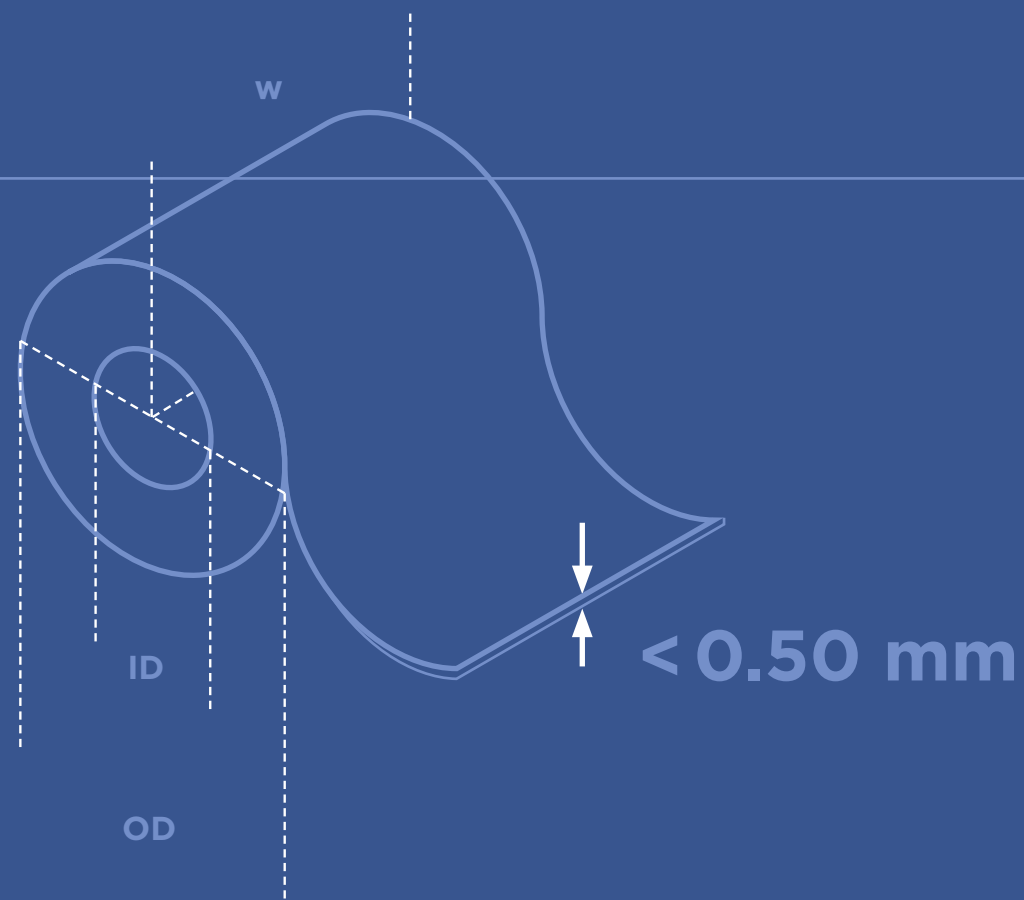
Rolling is our core production group. Technologically perfected rolled semi-finished products are produced on three sites in three different countries and our production has significantly increased over the past few years and continues to grow further. Growing sales provide us with certainty and flexibility and ensure excellent distribution paths. The state-of-the-art know-how of our development experts and the most advanced equipment together create foils and thin strips.

- 1 IMPOL**
Slovenska Bistrica, Slovenia
- 2 IMPOL TLM**
Šibenik, Croatia
- 3 IMPOL SEVAL**
Sevojno, Serbia

Sustainable development



Aluminium foils



The chemical compositions of alloys define their specific properties, but the following properties are common to all alloys:

- Aluminium does not react with the majority of organic substances.
- Aluminium is resistant to chemical reactions. Its resistance depends on individual compounds or its components.
- Aluminium has good corrosion resistance. Foils can be pre-treated or laminated to increase their resistance in salt media.
- Aluminium does not react with alimentary products.
- Aluminium is opaque.

Applications of aluminium foils and thin gauge strips with a thickness below 0.50 mm:

- Aluminium foil for food and beverage packaging
- Aluminium foil for pharmaceutical use
- Foil for technical use
- Container foil
- Household foil
- Finstock for heat exchangers
- Aluminium strips and foil for tubes
- Aluminium strips for profiling

CORROSION-RESISTANCE

DEADFOLD PERFORMANCE

NON-TOXICITY AND HYGIENE

LOW DENSITY

excellent properties

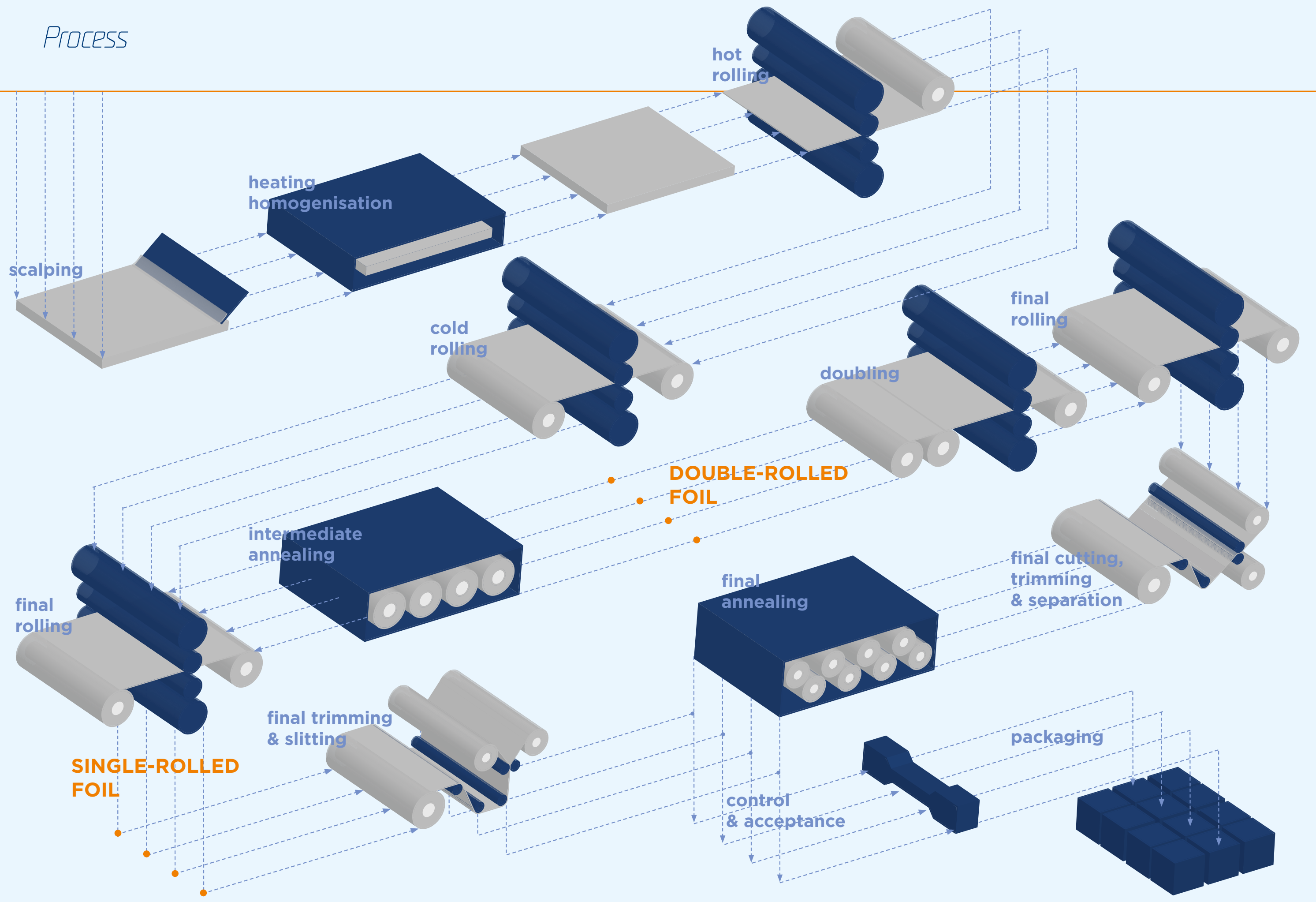
LIGHT AND AIR BARRIER

HIGH ELECTRICAL CONDUCTIVITY

HIGH REFLECTIVITY

VERY ATTRACTIVE EFFECTS PROCESSING

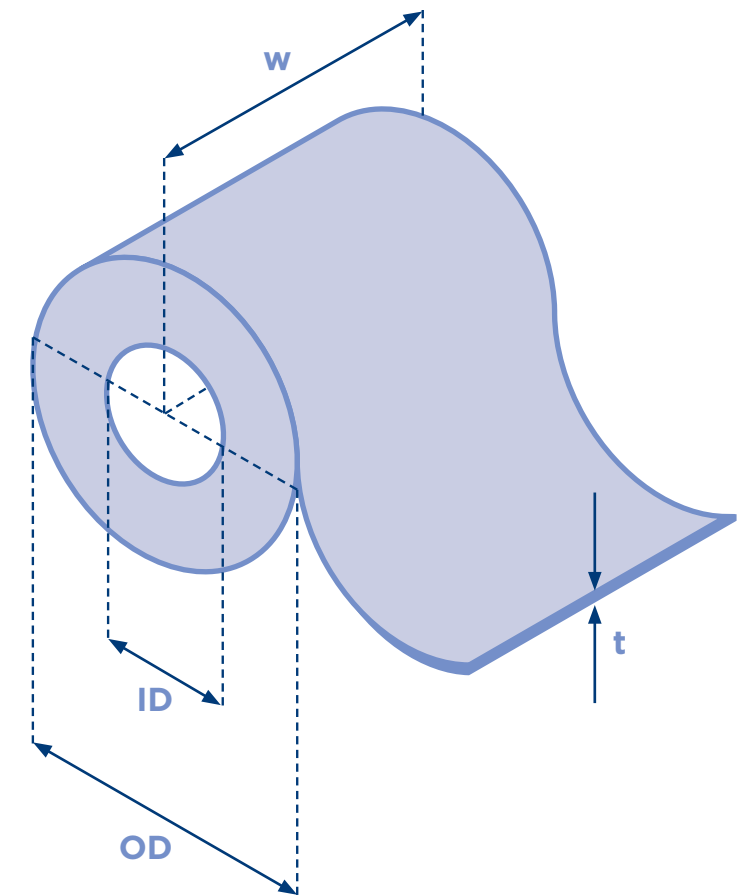
Process



Aluminium Foil by Use

FOOD AND BEVERAGE PACKAGING

- Lids
- Wine capsules
- Bottle necks
- Coffee packaging
- Butter packaging
- Cheese packaging
- Confectionery (chocolate etc.)



EN AW-xxxx	temper	surface finish	thickness [mm]	width [mm]	internal diameter [mm]	core type
1200 8079 8021B	O	bright/matt	0.008 - 0.070	200 - 1610*	150	Fe
				LIMITATIONS ON SELECTABLE SIZES MAY APPLY		

Coil sizes

external diameter at 150 mm core [mm]	500 - 1000	weight [kg]	0.5 - 2.1 per mm of width
---------------------------------------	------------	-------------	---------------------------

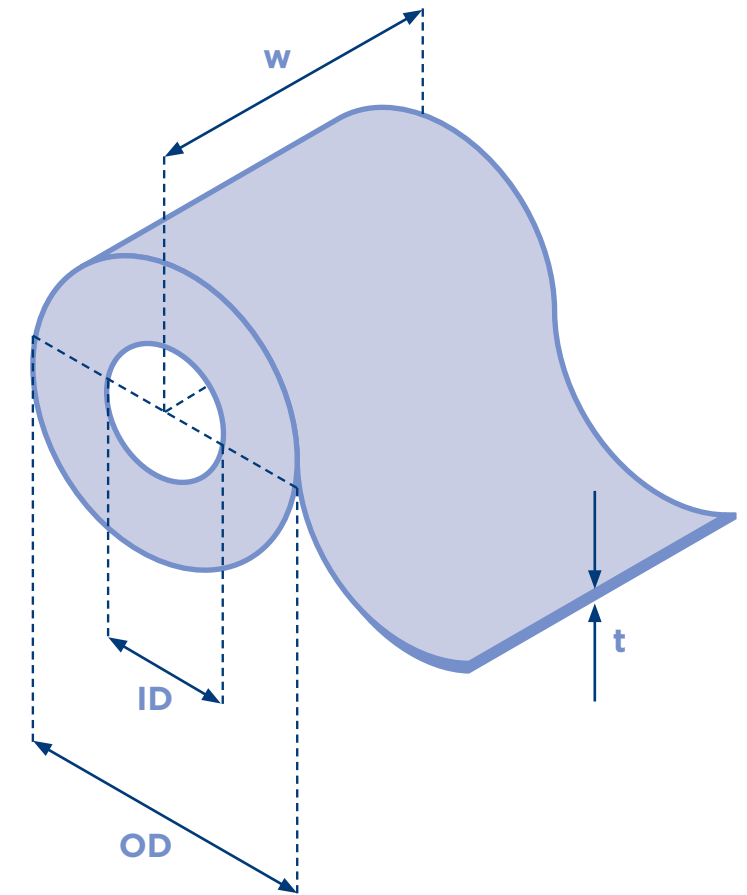




PHARMACEUTICAL

Typical examples:

- Blister
- Coldform



BLISTER

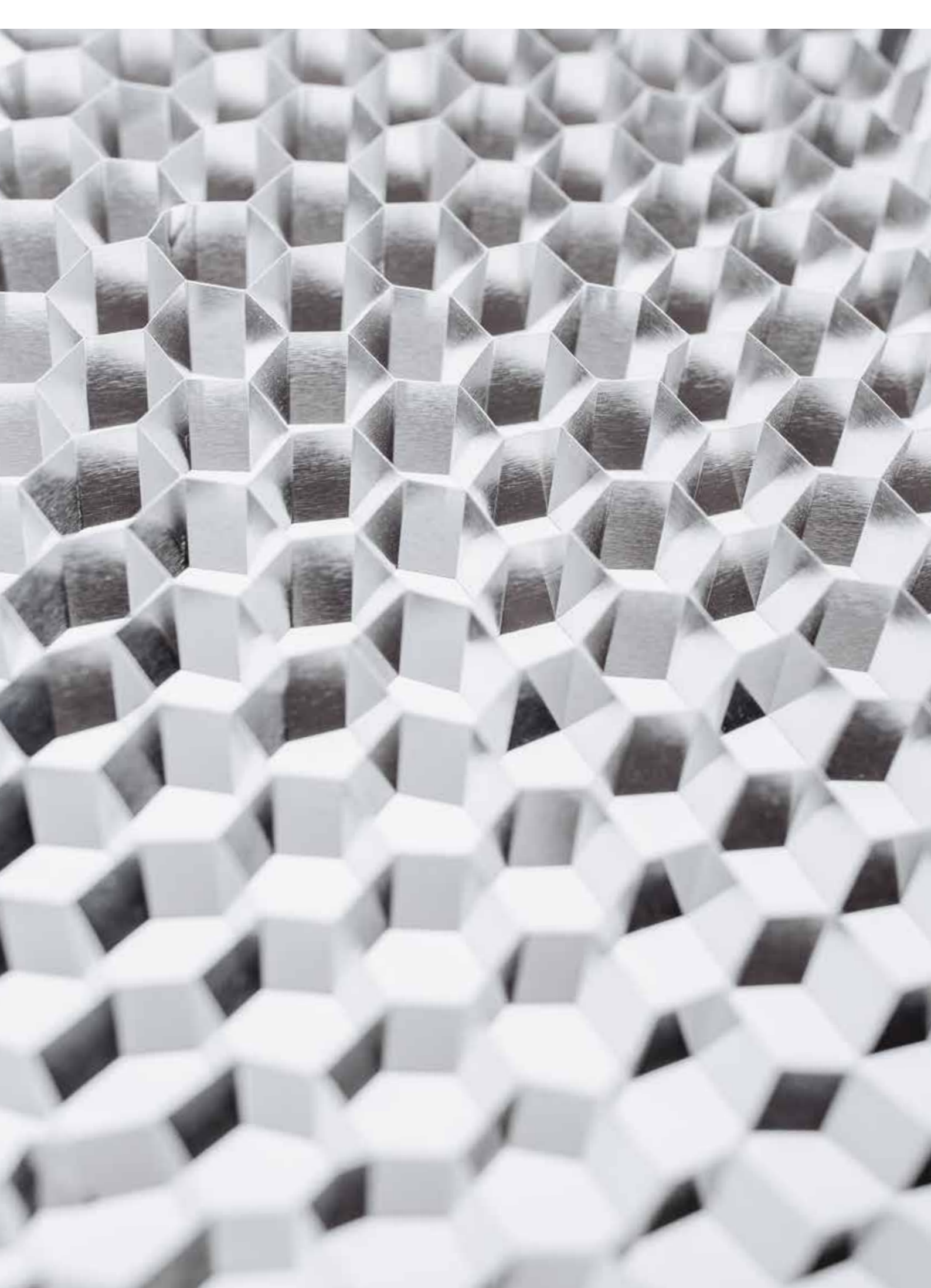
EN AW-xxxx	temper	surface finish	thickness [mm]	width [mm]	internal diameter [mm]	core type
1200 8079	H18	bright/matt	0.020 - 0.030	250 - 1610	150	Fe

COLDFORM

EN AW-xxxx	temper	surface finish	thickness [mm]	width [mm]	internal diameter [mm]	core type
8021B	DDQ	bright/matt	0.045 - 0.050	250 - 1610	150	Fe

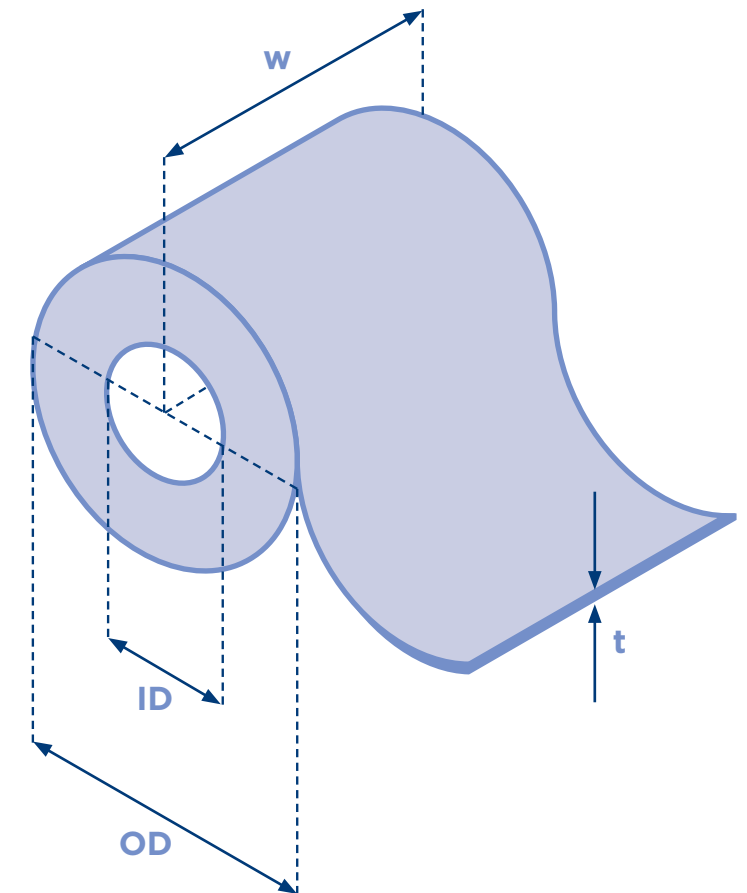
Coil sizes

external diameter at 150 mm core [mm]	weight [kg]
550 - 1000	0.6 - 2.1 per mm of width



TECHNICAL

- Typical examples:
- Cable wrapping
 - Insulations
 - Adhesive tapes
 - Honeycomb



DOUBLED FOIL

EN AW-xxxx	temper	surface finish	thickness [mm]	width [mm]	internal diameter [mm]	core type
1200	O	bright/matt	0.008 - 0.070	250 - 1610	150	Fe
8006	H18					
8079						

SINGLE-ROLLED FOIL

EN AW-xxxx	temper	surface finish	thickness [mm]	width [mm]	internal diameter [mm]	core type
1050A	O	mill finish	0.050 - 0.100	150 - 1400	150	Fe
1200	H18				76	Al
5052					70	
8079						

Coil sizes

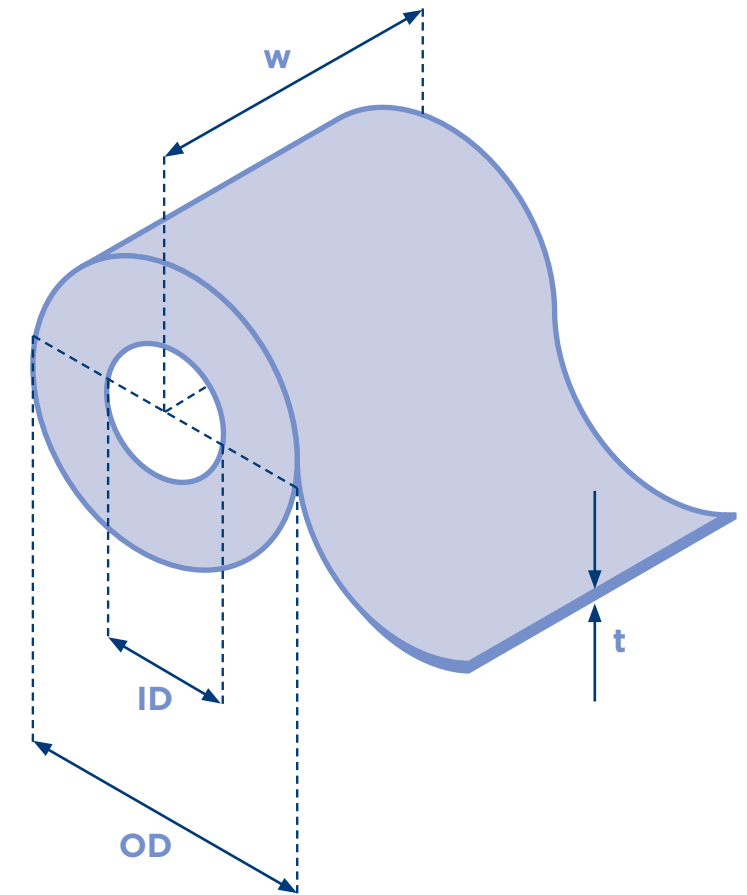
external diameter at 150 mm core [mm]	400 - 800	weight [kg]	0.3 - 1.3 per mm of width
---------------------------------------	-----------	-------------	---------------------------



CONTAINER FOIL

Typical examples:

- Smooth wall containers
- Catering containers
- Pet food containers
- Candles



EN AW-xxxx	temper	surface finish	thickness [mm]	width [mm]	internal diameter [mm]	core type
3005	O	mill finish	0.050 - 0.150	150 - 1400	150	Fe
3057	DDQ				300	
5006						
8006						
8011						

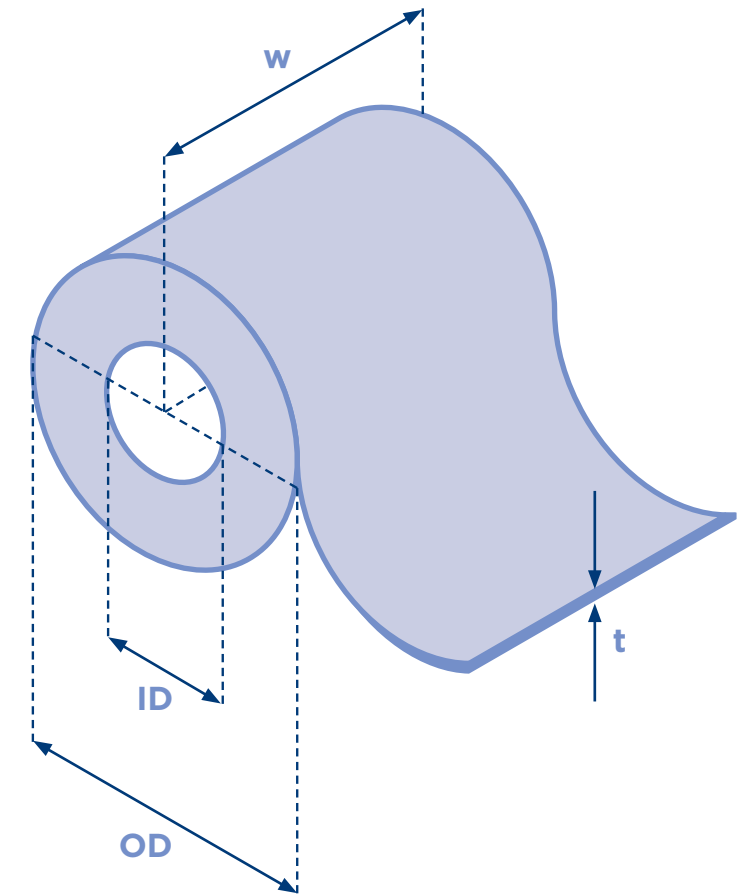
Coil sizes

external diameter at 150 mm core [mm]	550 - 950	weight [kg]	0.6 - 1.9 per mm of width
---------------------------------------	-----------	-------------	---------------------------



HOUSEHOLD FOIL

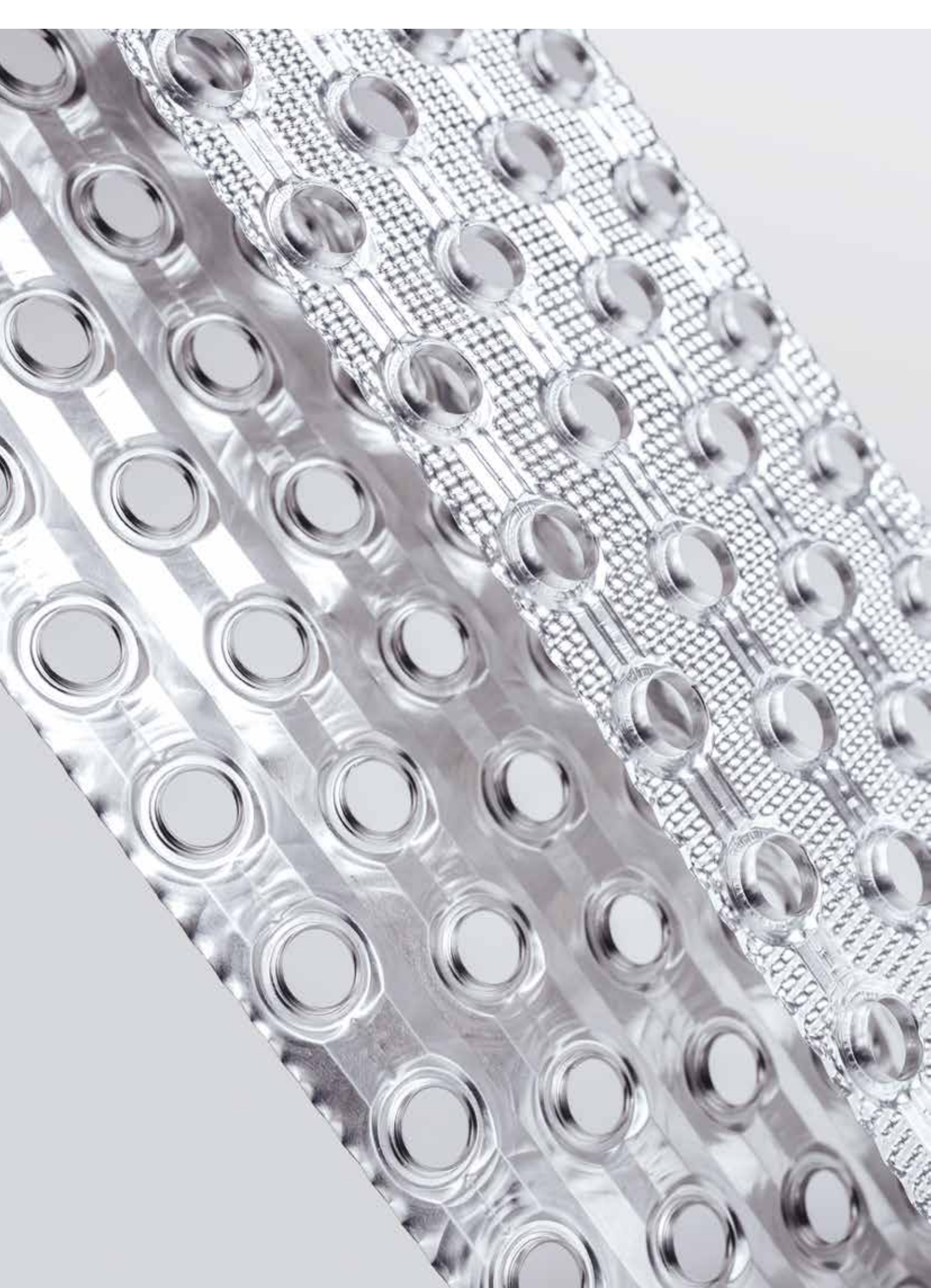
Typical examples:
 – Household foil



EN AW-xxxx	temper	surface finish	thickness [mm]	width [mm]	internal diameter [mm]	core type
8006 8011 8021B 8079	O	bright/matt	0.009 - 0.020	min. 250	150	Fe

Coil sizes

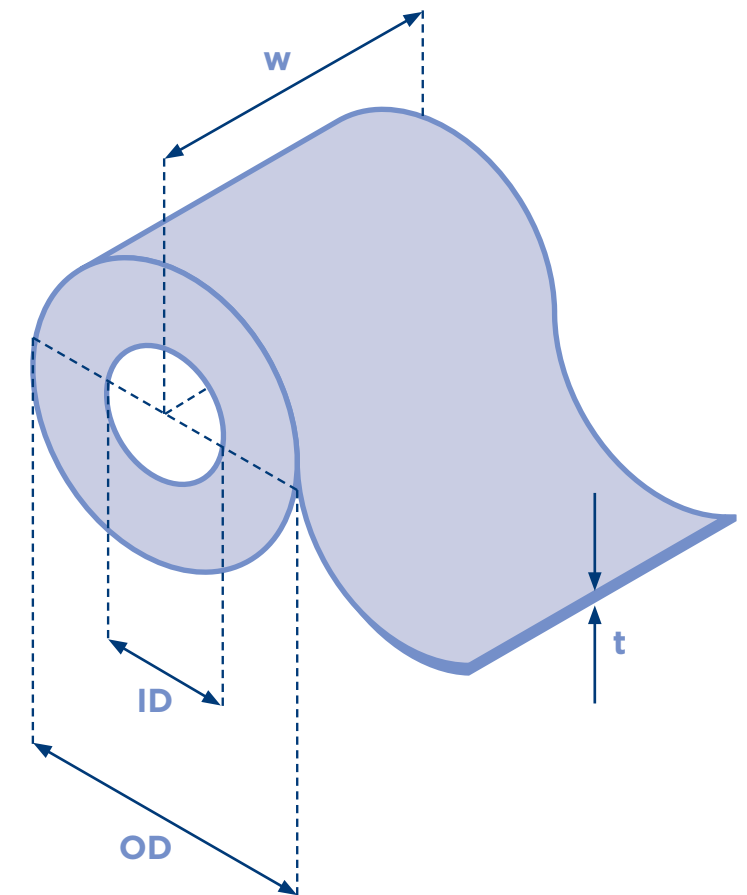
external diameter at 150 mm core [mm]	550 - 1000	weight [kg]	0.6 - 2.1 per mm of width
---------------------------------------	------------	-------------	---------------------------



FINSTOCK

Typical examples:

- Heating, ventilation and air conditioning (HVAC)
- Refrigeration systems
- Heat exchangers for power plants



EN AW-xxxx	temper	surface finish	thickness [mm]	width [mm]	internal diameter [mm]	core type
1050A	H18	mill finish	0.080 - 0.499	30 - 1400	150	Al
3003	O					Fe
5052	H22					
5754	DDQ					
8006						
8011						
8014						

Coil sizes

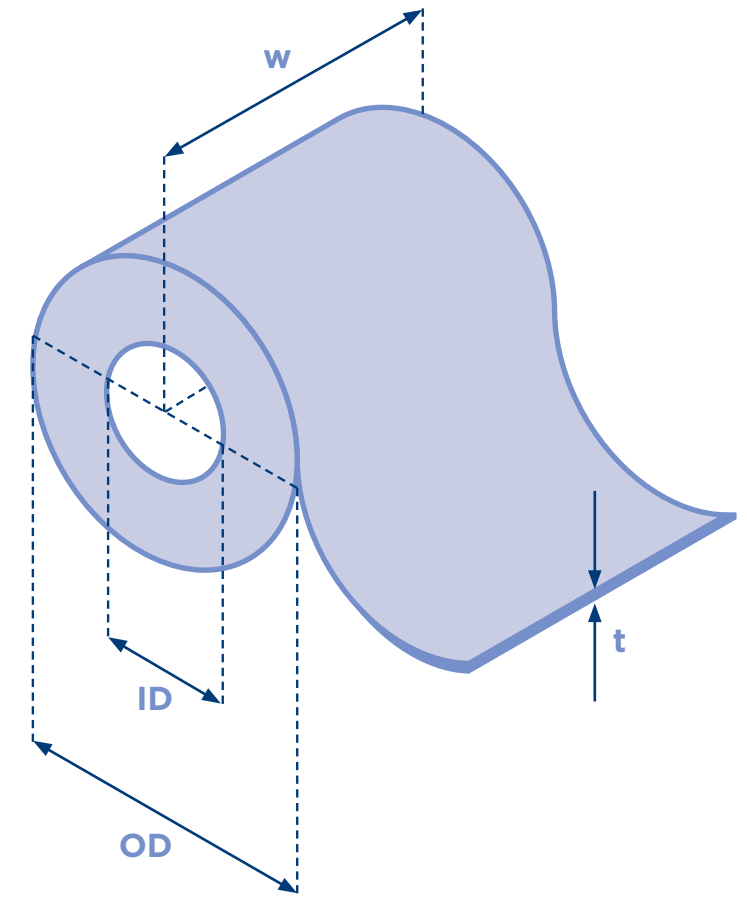
external diameter at 150 mm core [mm]	690 - 940	weight [kg]	0.7 - 1.8 per mm of width
---------------------------------------	-----------	-------------	---------------------------



TUBES

Typical examples:

- Multilayer pipes (welded or overlapping)
- Flexible tubes



EN AW-xxxx	temper	surface finish	thickness [mm]	width [mm]	internal diameter [mm]	core type
1050A	O	mill finish	0.100 - 0.500	30 - 1300	150	Al cardboard*
3005	H22				400	
8006					500	
8011						

*FOR SELECTED SIZES AND TEMPER

Coil sizes

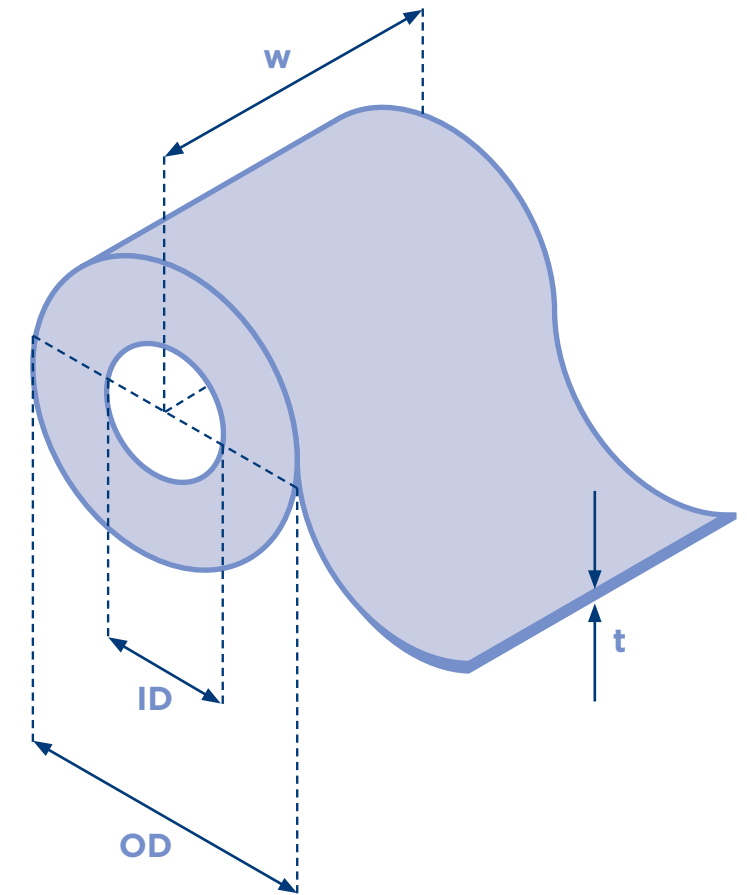
external diameter at 150 mm core [mm]	580 - 1330	weight [kg]	0.7 - 3.7 per mm of width
---------------------------------------	------------	-------------	---------------------------



OTHER INDUSTRIAL APPLICATIONS

Typical examples:

- Corner beads
- Spacers
- Household appliances



EN AW-xxxx	temper	surface finish	thickness [mm]	width [mm]	internal diameter [mm]	core type
1050A	H14	mill finish	0.100 - 0.499	30 - 1250	150	Al cardboard*
3003	H16				400	
3005	H18				500	
3105						

*FOR SELECTED SIZES AND TEMPER

Coil sizes

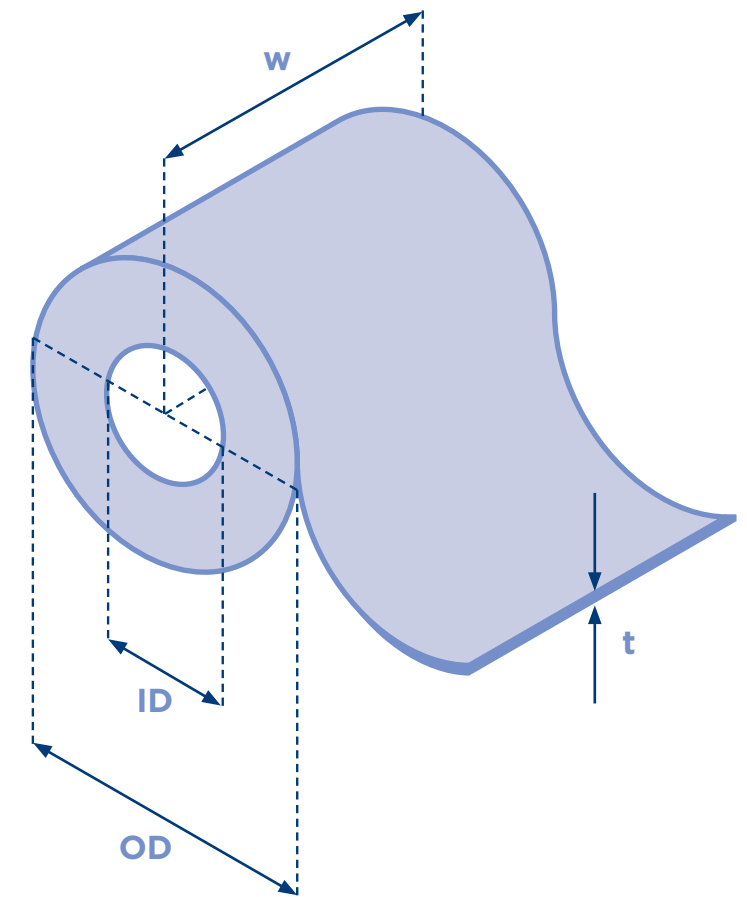
external diameter at 150 mm core [mm]	580 - 1330	weight [kg]	0.7 - 3.7 per mm of width
---------------------------------------	------------	-------------	---------------------------



CLOSURES

Typical examples:

- Closures for beverage bottles
- Closures for pharmaceutical use



EN AW-xxxx	temper	surface finish	thickness [mm]	width [mm]	internal diameter [mm]	core type
3105	H14	mill finish	0.195 - 0.250	945 - 1480	300	Fe
8011	DDQ				400	cardboard*
					500	

*FOR SELECTED SIZES AND TEMPER

Coil sizes

external diameter at 150 mm core [mm]	900 - 1750	weight [kg]	1.4 - 6.2 per mm of width
---------------------------------------	------------	-------------	---------------------------

Packaging

Our products are packed according to the customer's requests and our capabilities. Impol's standard packing methods include packing into boxes, pallets or crates. Special packaging is also available as per agreement. All packaging is returnable.

Each shipment is accompanied with a certificate of quality, which also proves the suitability of the materials.

COIL ON A PALLET



COIL IN A WOODEN CRATE HANGING



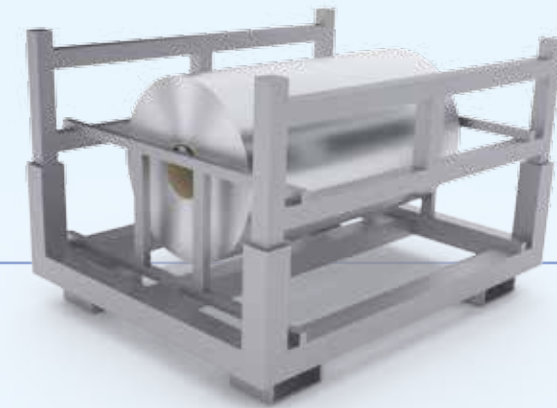
COIL IN A WOODEN CRATE



COILS IN A BOX



COIL IN A METAL CRATE



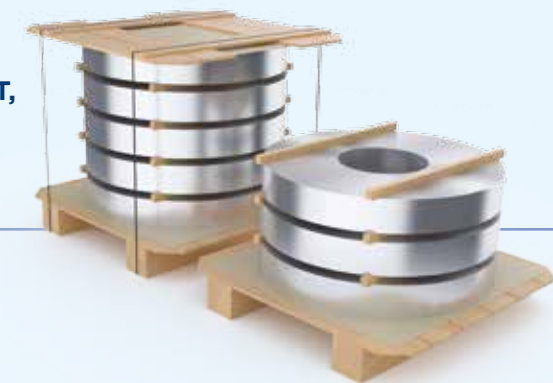
COILS ON A PALLET, AXIS HORIZONTAL, CARDBOARD SECTIONS IN BETWEEN



COILS ON A PALLET, AXIS VERTICAL, SEPARATED WITH CARDBOARD



COILS ON A PALLET, AXIS VERTICAL, SEPARATED WITH WOODEN SLATES



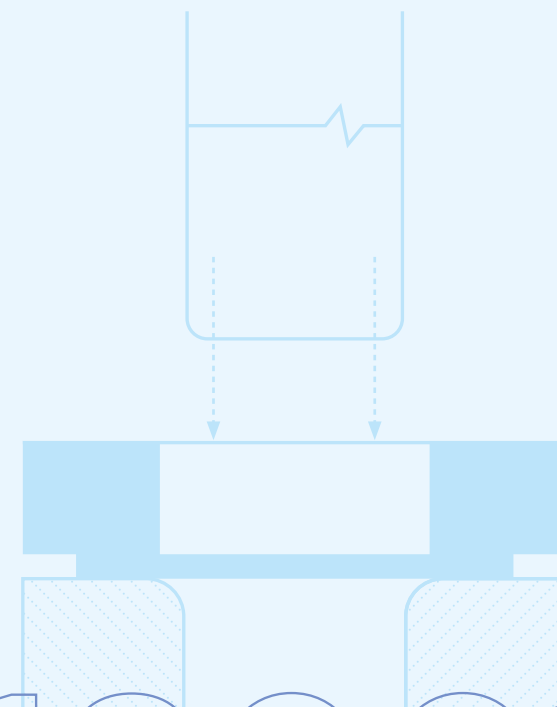
ISO 9001

BVQI SINCE 1992

Standards and Chemical Composition

ISO 14001

BVQI SINCE 2000



OHSAS 18001

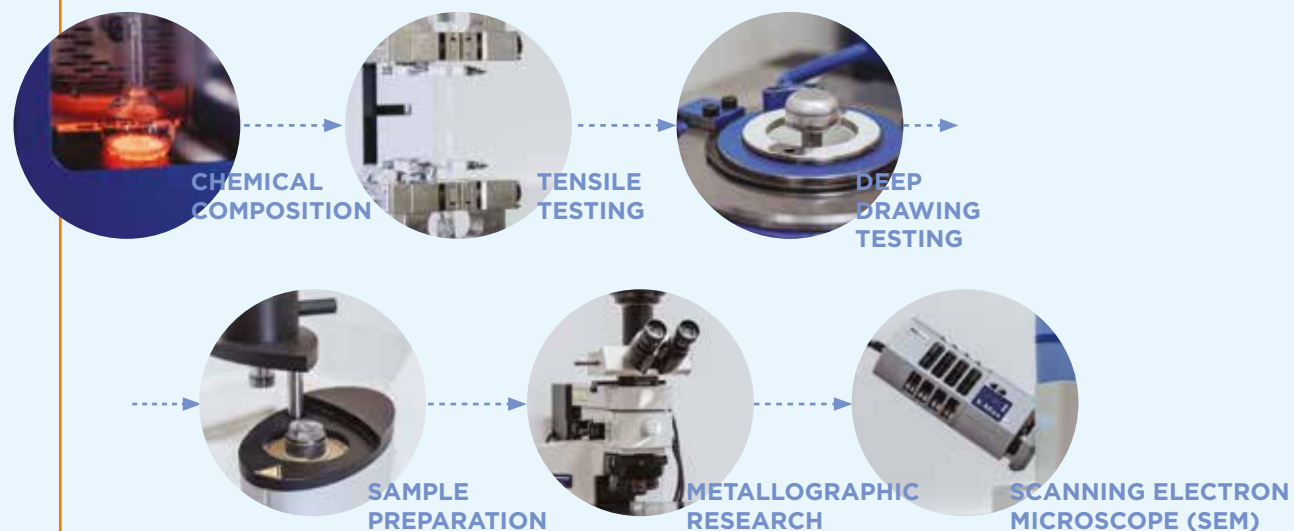
BVQI SINCE 2000

We produce foils and strips in different alloys according to international standards. The chemical composition, mechanical properties and tolerances are in compliance with EN standards for various products.

EN 573-3	chemical composition, all aluminium products
EN 602	chemical composition, aluminium for food contact
EN 546-2	mechanical properties, foils
EN 683-2	mechanical properties, finstock
EN 546-3	tolerances, foils
EN 683-3	tolerances, finstock
EN 546-4	other properties, foils

Our foils also follow:

DIRECTIVE	94/62/EC
	2002/94/EG (RoHS)
	200/53/EC (ELV)
REGULATION	EC No. 1935/2004, FDA 21§178.3910
	EC No. 2023/2006 and others.



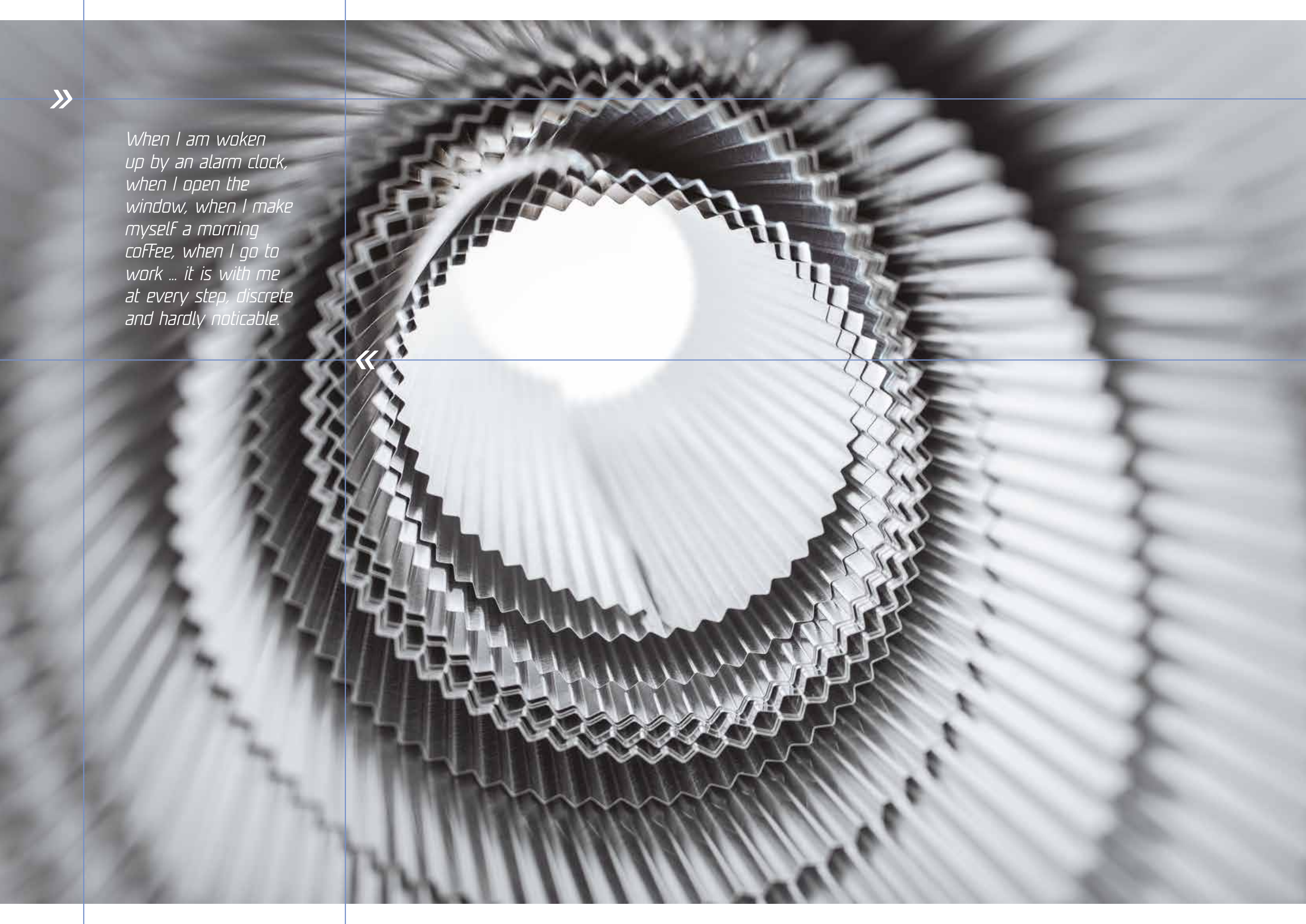
Ordering

For the quick processing of your inquiry we kindly ask you to provide us with the following data:

- Alloy and temper
- Dimensions and coil size (maximum weight)
- Inside and outside diameter or the desired length
- Purpose of use
- Quantity



*When I am woken
up by an alarm clock,
when I open the
window, when I make
myself a morning
coffee, when I go to
work ... it is with me
at every step, discrete
and hardly noticable.*





Partizanska 38
2310 Slovenska Bistrica, Slovenia

T: +386 2 845 3100
F: +386 2 818 1219

info@impol.si
www.impol.com